

ROOF / GROUND MOUNTS



DP&W Roof/Ground Mounts are available in several sizes and styles in both aluminum (AL) and painted steel (PS) versions. In addition to the standard configuration, we offer both low-profile and two-tier designs. Both one-piece (OP) and telescoping-leg (TL) sets are available. This sheet describes our standard line of roof/ground mounts. DP&W specializes in custom design and fabrication and can build mounts to meet your exact needs.

SPECIFICATIONS

MATERIALS

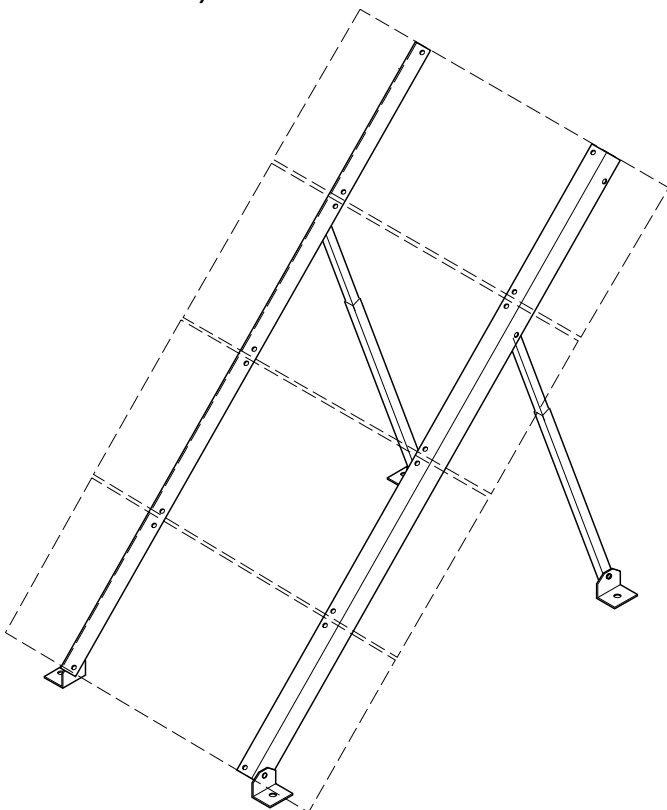
ALUMINUM (AL) ROOF/GROUND MOUNTS: Module rails and legs are made of mill-finish 6061-T6 structural aluminum angle. Some large racks are made of 6061-T6 structural aluminum channel. Clear anodizing is available as an option.

PAINTED STEEL (PS) ROOF/GROUND MOUNTS: Module rails and one-piece legs are made of ASTM A36 steel angle. Telescoping leg sets are made of ASTM A500-Grade B steel square tubing. Steel racks are coated with a minimum of two coats of industrial urethane enamel. Hot-dip-galvanizing is available as an option.

Both aluminum and steel racks come with stainless steel module mounting hardware and Grade 5 zinc-plated rack assembly hardware. Standard mounting feet are made of steel and are hot-dip-galvanized after fabrication.

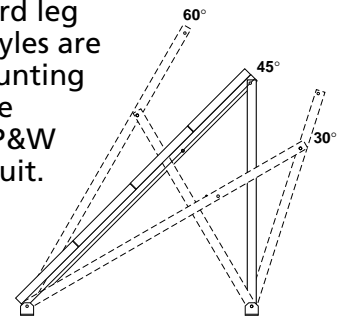
SRGM STANDARD ROOF/GROUND MOUNTS

Modules are racked with length horizontal, stacked one above the other. Models are available to hold from 1 to 10 modules (depending on module width).



LEG STYLES AND SEASONAL ADJUSTMENT (for all roof ground mounts)

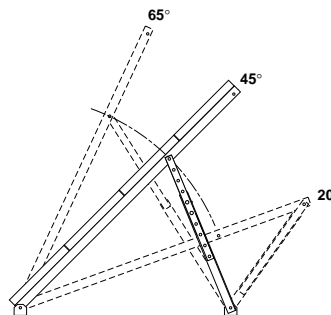
These are DP&W standard leg configurations. Other styles are available. If you are mounting on a pitched roof, please specify the slope and DP&W will modify the legs to suit.



NOTE: All roof/ground mounts can be set at 0° (parallel to mounting surface) by removing the back legs.

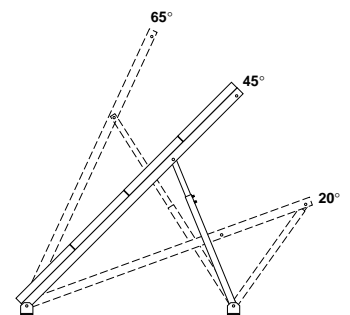
ONE-PIECE LEG

Painted Steel & Aluminum
3 Set-Points: 30°, 45°, 60°



TELESCOPING LEG

Aluminum
Tilt Range: 20° to 65°



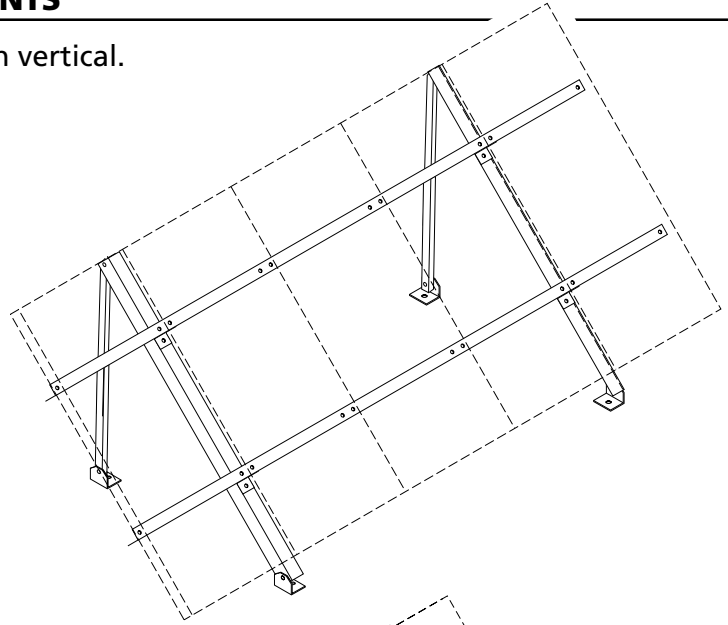
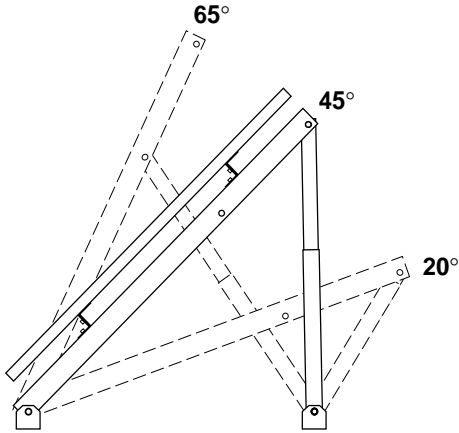
TELESCOPING LEG

Painted Steel
Tilt Range: 20° to 65°

ROOF/GROUND MOUNTS *(continued)*

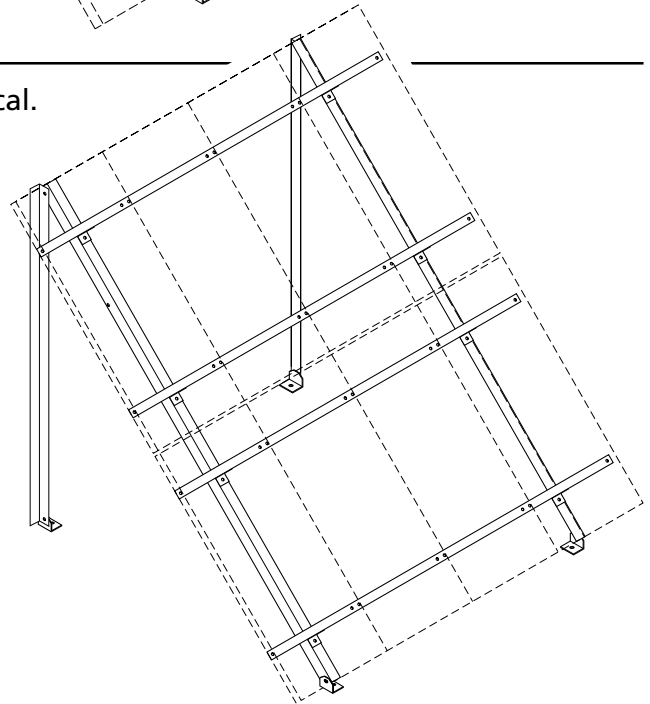
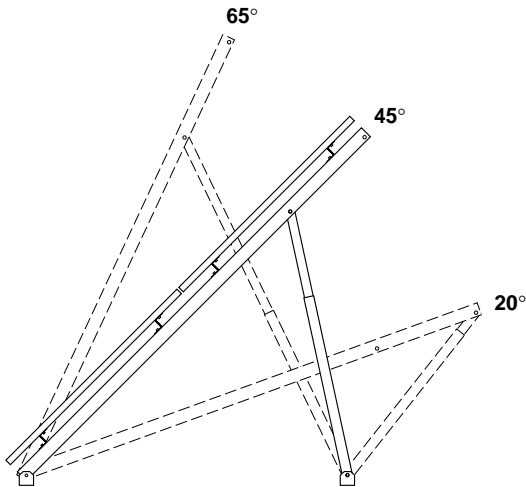
LPRGM LOW-PROFILE ROOF/GROUND MOUNTS

Modules are racked side-by-side with module length vertical. Models are available to hold from 4 to 12 modules (depending on module width).



TTRGM TWO-TIER ROOF/GROUND MOUNTS

Modules are racked in two rows with module length vertical. Models are available to hold from 4 to 14 modules (depending on module width).



SHIPPING

Most roof/ground mounts ship via UPS. Models with module rails longer than 108" must ship motor freight.

OPTIONS

- Anodized aluminum
- Tamper-resistant hardware
- Custom elevation angle settings
- Powder coating
- Stainless steel
- Hot-dip-galvanized steel
- Combiner box mounting plates
- Snow-clearance extensions
- Vertical wall mounts

FOR MORE INFORMATION:



1-800-260-3792

Direct Power & Water Corporation

4000-B Vassar Drive NE

Albuquerque, NM 87107 USA

Telephone 505-889-3585 • Facsimile 505-889-3548

URL <http://www.directpower.com> • E-mail dirpowdd@directpower.com

© Copyright 1998 DP&W Corporation